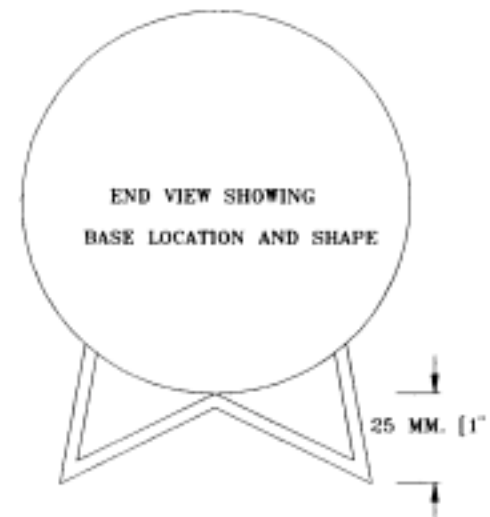
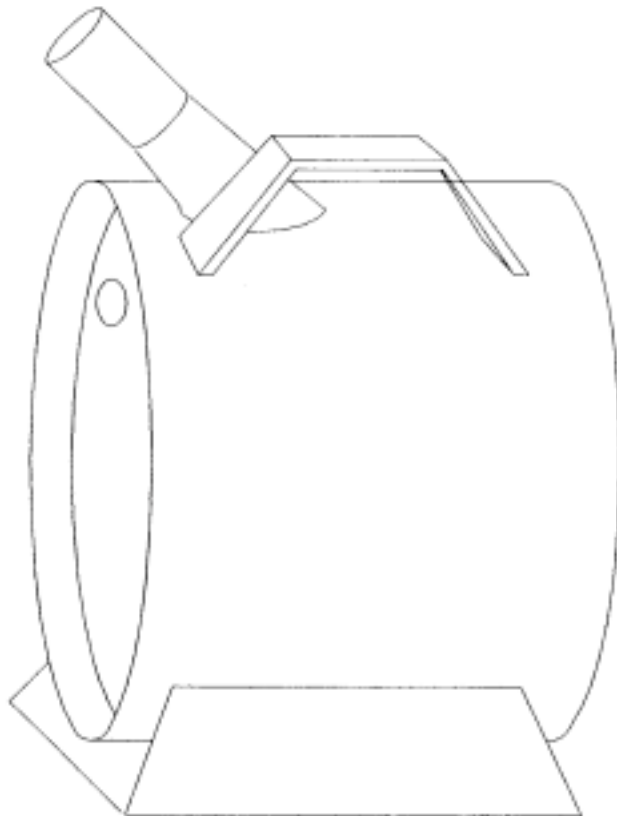
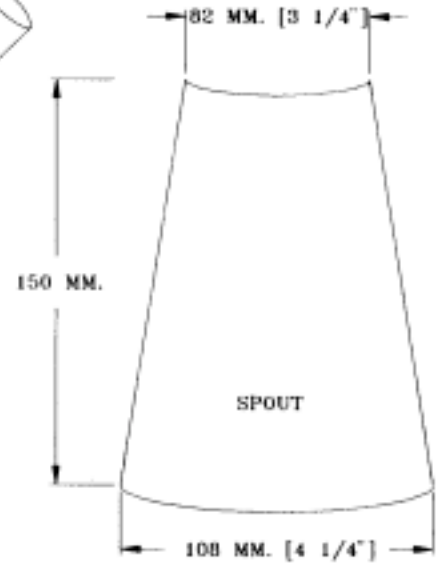
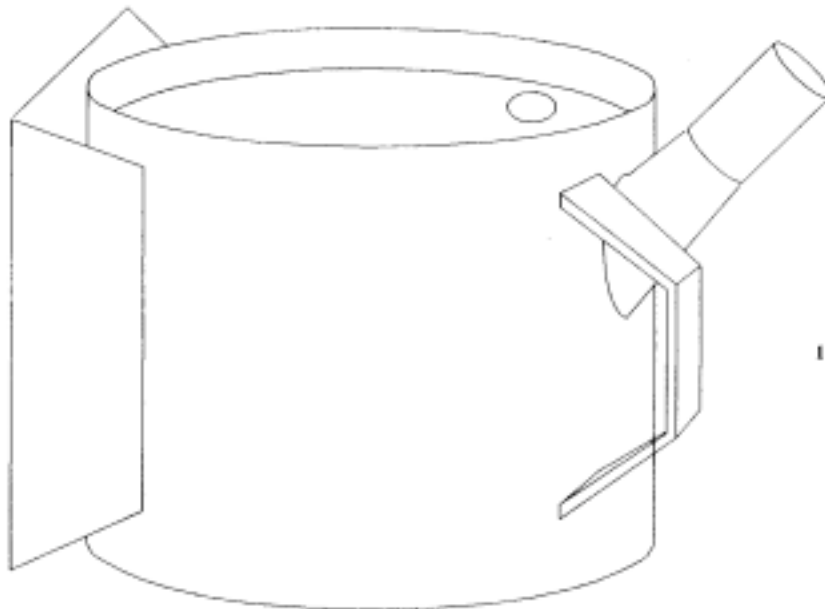


[H]



EVALUATION	PROJ. SHT: / 10	WELD QUAL: / 50	APPEARANCE: / 30	FINISH: / 10	MK:
NAME:	START DATE:	COMPLETION DATE:	HOURS:		

